

### Premium LED C CTV Monitor



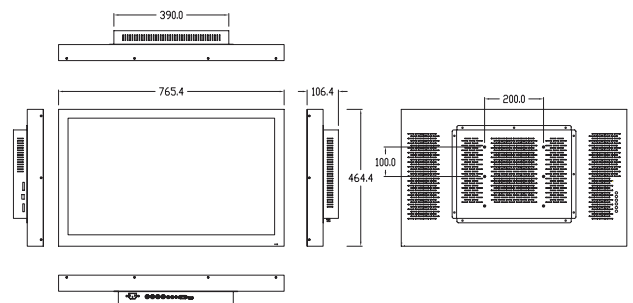
#### SPECIAL FEATURES

- 1920 x 1080 Full HD Resolution
- Robust metal housing ; anti-vandalism
- 3D comb filter high quality motion adaptive
- 3D De-interlace ; 3D Decoder ; 3D Noise reduction
- Auto Power Recovery
- Built-in Speaker
- User friendly OSD interface
- Looping Function
- PIP / PBP Multi Display Function

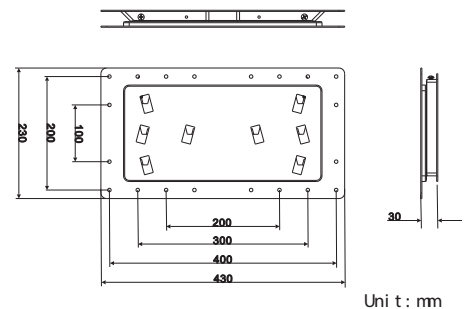
#### Specification

Model	EPMON32LED
<b>General</b>	
Diagonal size	32"
Panel type	TFT LCD
Aspect ratio	16:9
Number of pixels	1920 x 1080
Pixel pitch (H x V)	0.12125 x 0.36375 mm
Color depth	16.7 Million Colors
Backlight	LED
<b>Optical (typ.)</b>	
Brightness	400 cd/m2
Contrast ratio	5000:1
Response time ( Tr + Tf)	8.5 ms
Viewing angle	Vertical -88°~88° Horizontal -88°~88°
<b>Operation</b>	
Input Interface	BNC x 2, VGA x 1, HDMI x 1, RCA x 2, PC Audio x 1
Output Interface	BNC x 2
Display mode	Video 1 / Video 2 / PC / HDMI
OSD	Picture Mode, Contrast, Brightness, Color, Tint, Sharpness, Color Temp, DNR
OSD Languages	English, German, French, Italian, Spanish, Russian, Turkish, Polish, Dutch, Czech
Additional modes	NO
Speaker	1.5 W x 2
Remote control	YES
<b>Composite Video</b>	
System	PAL / NTSC
Video processing	Motion Adaptive 3D De-Interlacer and DNR, 4H Comb filter Y/C separation
<b>Electrical</b>	
AC power	AC 100-240V 50/60HZ
Power consumption	70W Max. i CN™ Mde
Power supply	AC power cord
<b>Mechanical</b>	
Case material	Metal
Color	Black
Dimension ( W x H x D) (Monitor only)	747 x 450 x 80 mm
Mounting interface	200 x 100 mm or 200x200 mm
Net weight (Monitor only)	12.1Kgs (26.7 lbs)
<b>Environment</b>	
Temperature	Operation: 0°~40°C(32° ~104°F) , Storage: -10°~60°C(14° ~140°F)
Humidity	10%-90%
<b>Standards</b>	
Safety	FCC, CE, ROHS
Pixel defect policy	ISO13406-2 Compliant, LCD panel class 2
<b>Delivery set</b>	
	Monitor, Power cord, VGA cable, User Manual, Remote controller
<b>Options</b>	
Wall mount	A420/A422

#### Physical Layout



#### Wall Mounting Kit



#### Input / Output

